

SMB SERIES

DC Motor Protectors

WORLD CLASS PERFORMANCE

The SMB Series is a high current DC motor protector which delivers the benefit of locked rotor and overload protection in a robust integrated package.

With an exceptional history of more than 90 years, Sensata Technologies is a leading supplier of sensors and switches.

Features

- Copper plated steel base and tab
- Available in covered and uncovered versions
- Designed to trip time or temperature specifications
- Multiple bimetallic resistivities available

Benefits

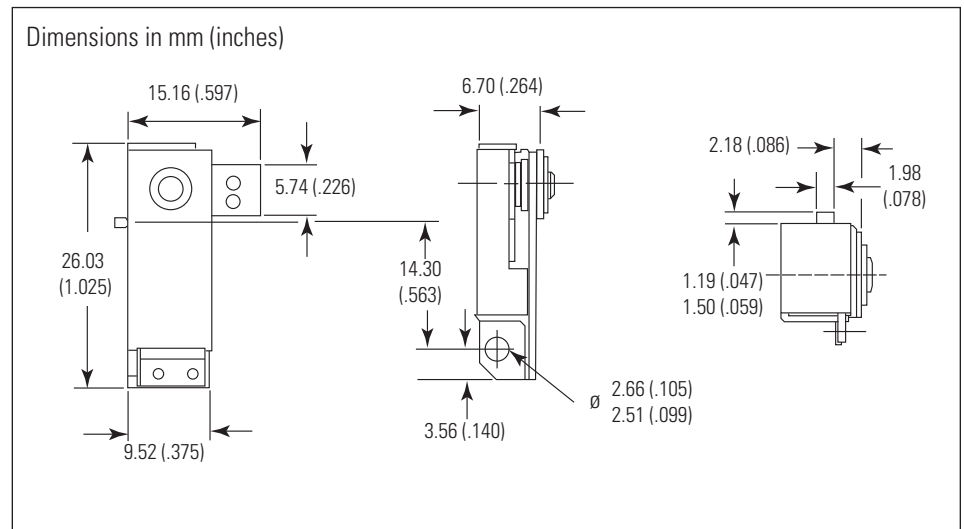
- Electrical connection enabled by soldering, riveting, or resistance welding
- Snap action device provides longer life cycle
- Brush card or end cap mountable in the motor
- Multiple lug and brush/bracket options

Sensata Technologies' SMB Series of snap action motor protectors are designed for DC blower and engine cooling fan motors, pump motors or other applications up to 24 Volts where over-current or over-temperature protection are required. The SMB is equipped for operation under harsh temperature extremes.

A broad range of design and mounting options enable this device to be custom engineered to meet your needs.

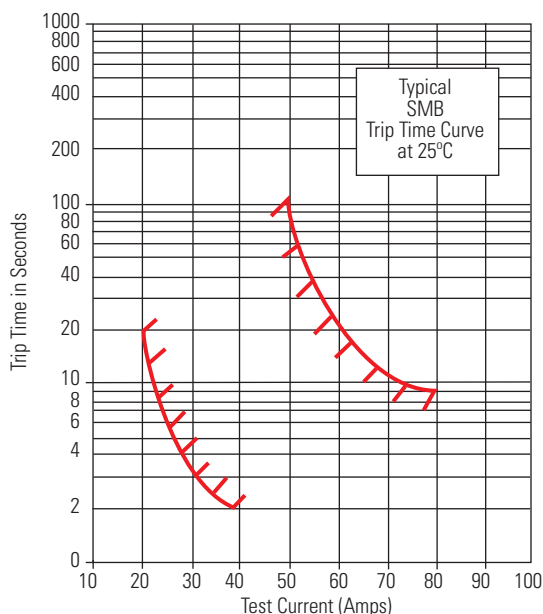
Sensata Technologies is an ISO and TS registered company providing world class quality products.

Dimensional Drawing



SMB SERIES

DC Motor Protectors



General Specifications

Nominal Operating Voltage	12-24 Volts DC
Typical voltage drop at operating current	200 mV max
Typical ambient temperature range	-40°C to 110°C
Maximum Operating Current	35 Amps
Peak Room Temperature Stall Current	>100 Amps

These curves are to be used only as a guide in selecting a protector for a particular application. Factors such as distance from the heat source and the method of mounting should be considered in selecting a protector. Final trip times are dependent upon terminal configuration and mounting in the application.

Global Sales Offices

North America

Sensata Technologies, Inc.
Electrical Protection
529 Pleasant Street, MS B-49
Attleboro, Massachusetts 02703
Phone: 1-508-236-3287

Europe

Sensata Technologies Holland B.V.
Kolphofsingel 8
7602 EM Almelo
The Netherlands
Phone: 31-546-879560

Asia

Sensata Technologies (Shanghai) Co., Ltd.
Novel Plaza, 8th Floor
128 Nanjing Road
West Huangpu District
Shanghai 200003, PRC
Phone: 86-21-23061553

Central & South America

Sensata Technologies Sensores e
Controles Do Brasil LTDA.
Rua Azarias de Melo, 648
Bairro Taquaral-Campinas/SP
Brasil
Phone: 19-3754-1142

Middle East & India

Sensata Technologies India Pvt. Ltd.
Bagmane Tech Park
Byrasandra CV Raman Nagar
Bangalore-560 093
India
Phone: 91-25-099329



Sensata Technologies

529 Pleasant Street
Attleboro, MA 02703-2964
U.S.A.
Phone 1-508-236-3800
www.sensata.com

Important Notice: Sensata Technologies (Sensata) reserves the right to make changes to or discontinue any product or service identified in this publication without notice. Sensata advises its customers to obtain the latest version of the relevant information to verify, before placing any orders, that the information being relied upon is current. Sensata assumes no responsibility for infringement of patents or rights of others based on Sensata applications assistance or product specifications since Sensata does not possess full access concerning the use or application of customers' products. Sensata also assumes no responsibility for customers' product designs.